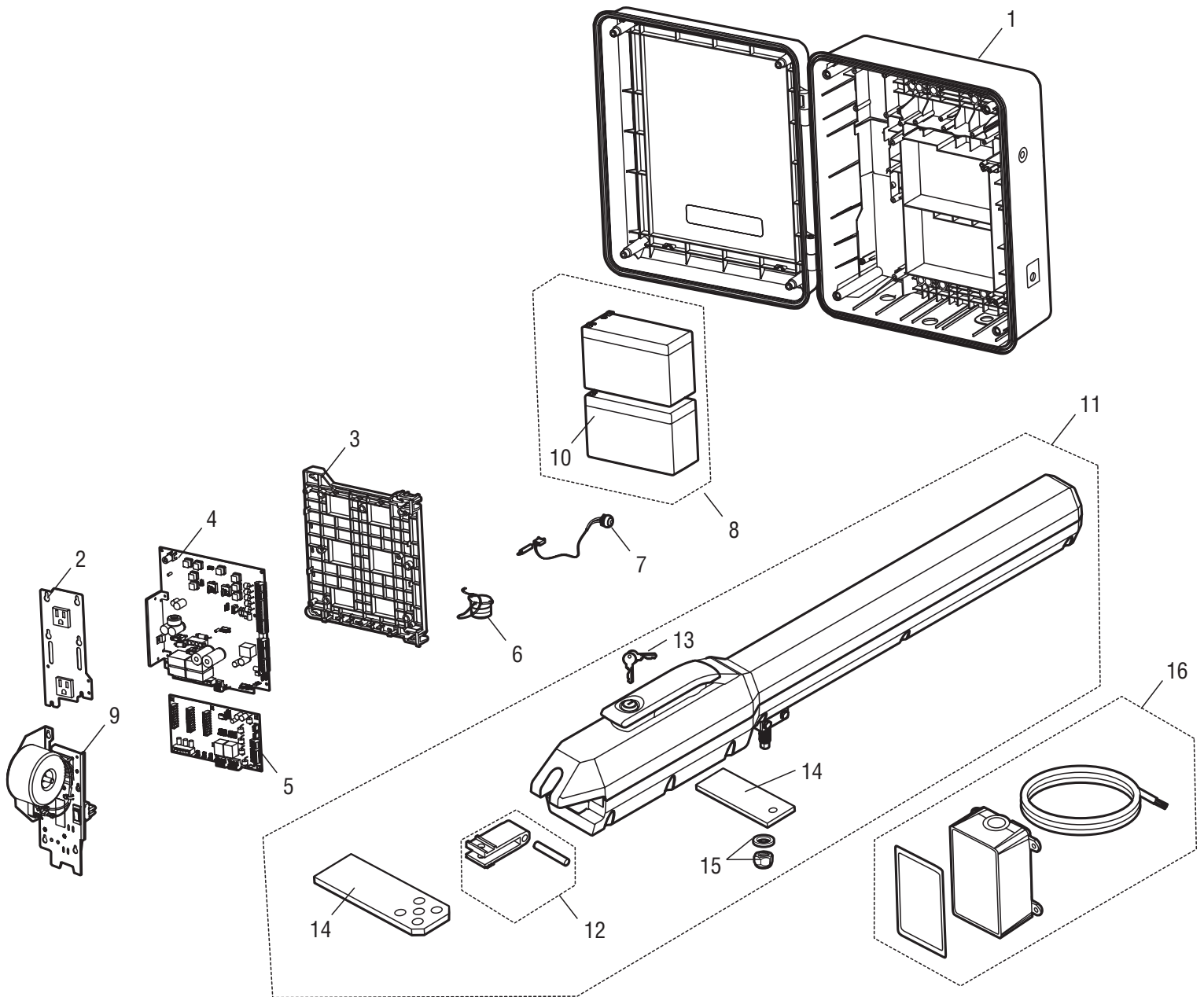


# REPLACEMENT PARTS PRICE GUIDE LA500DC

## REPAIR PARTS



# REPLACEMENT PARTS PRICE GUIDE

# LA500DC

ITEM	PART#	DESCRIPTION	LIST PRICE
<b>STANDARD CONTROL BOX</b>			
1	K74 36798-1	Standard Plastic Control Box Only	\$504.72
2	K76 36296-1	Outlet	\$42.69
3	K75-36635	Control Board Bracket	\$37.54
4	K1D8052-1CC	Control Board	\$384.90
5	K1D8080-1CC	Expansion Board	\$171.99
6	K94-36411	Piezo Alarm	\$22.39
7	K94-36408-1	Reset Switch with Product ID	\$58.43
8	K94-36596	Batteries (2) with Wire Harness	\$60.90
9	LA500HDTKITSTD	Toroidal Transformer (Refer to Product Catalog)	
10	29-NP712	Single Battery (Refer to Product Catalog)	
<b>NOT SHOWN</b>			
	K77-36541	Antenna	\$33.75
	LA500CONTDC	Standard Plastic Control Box with Control Board (Refer to Product Catalog)	
	K94-36274-2	J15 Harness	\$16.72
<b>GATE OPERATOR ARM</b>			
11	LA500	Primary Arm (Refer to Product Catalog)	
12	KSWG-0623	Rear Connector with Pin	\$24.84
13	41ASWG-0119	Release Keys	\$5.85
14	Q230	Steel Bracket Mounting Plates	\$83.89
15	Q232	Bottom Washer and Nut	\$4.85
16	K94-36591	Junction Box with Cable	\$268.65
<b>NOT SHOWN</b>			
	K77-63689	Hardware Bag	\$22.37
<b>LARGE METAL CONTROL BOX (XLM) – NOT SHOWN</b>			
	K74-36806-1	Metal Control Box Only	\$931.07
	K76-34771	Outlet	\$60.95
	LA500SLRHARN	Solar 33AH Battery Harness (Refer to Product Catalog)	
	K94-36274-1	7AH Battery Harness	\$13.97
	K10-36183	33AH Battery Tray (Refer to Product Catalog)	
	APOW3	Transformer (Refer to Product Catalog)	

To order your service kits, please contact our Technical Support Center at 800.528.2806 or online at [Dealer.LiftMaster.com](http://Dealer.LiftMaster.com).

All pricing is in USD. Effective 8/15/14 and is subject to change.

© 2014 LiftMaster All Rights Reserved  
845 Larch Ave., Elmhurst, IL 60126

**LiftMaster®**